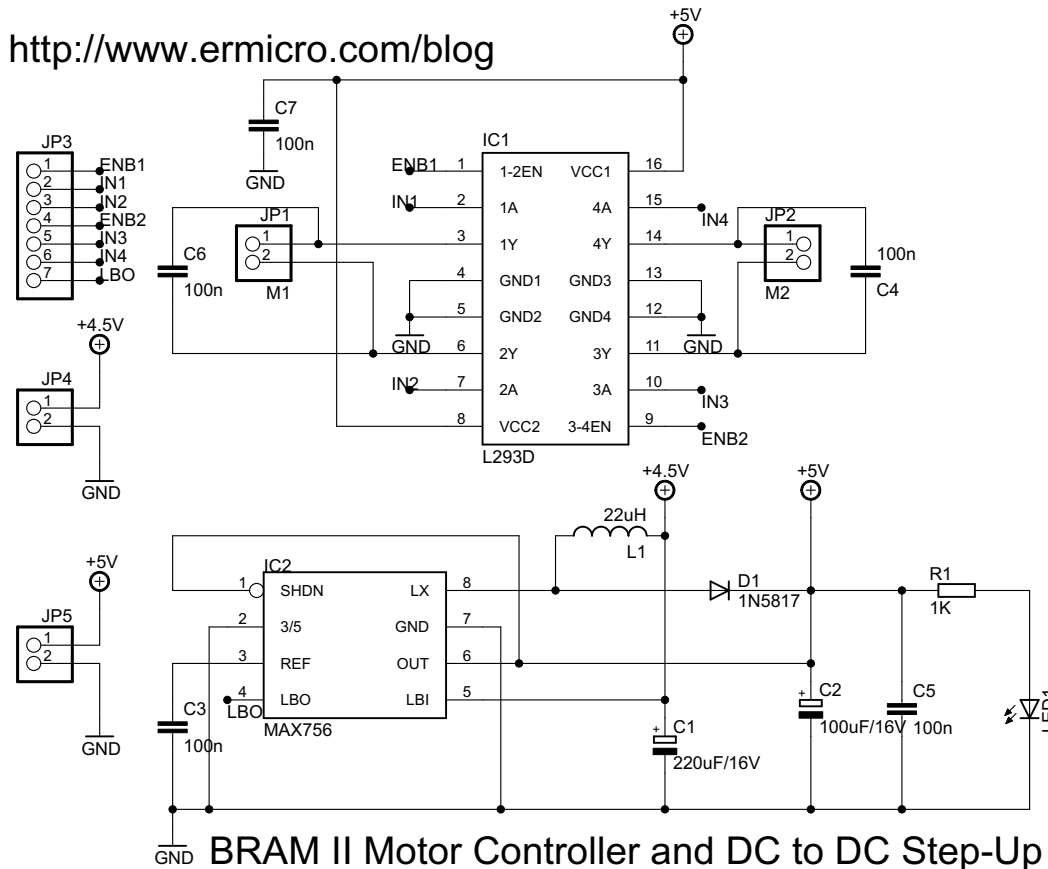


<http://www.ermicro.com/blog>



BRAM II Motor Controller and DC to DC Step-Up Circuit